

EFPERFECT 24-in 6-light shell-shaped glass chandelier

Product listing capture — Lowes.com, July 8, 2026

Listing: EFPERFECT 24 inch Chandelier 6-Light Luxury Shell-Shaped Glass Pendant Lamp Ceiling Lights

Lowe's Item #: 7895078 Model #: DS-DY106 Marketplace - Sold and Shipped by EFPERFECT

Luxury 24-inch shell-shaped 2-layer chandelier, premium brass and K9 crystal glass with leaf-like texture

6 E14 sockets; 3-color-temperature bulbs included

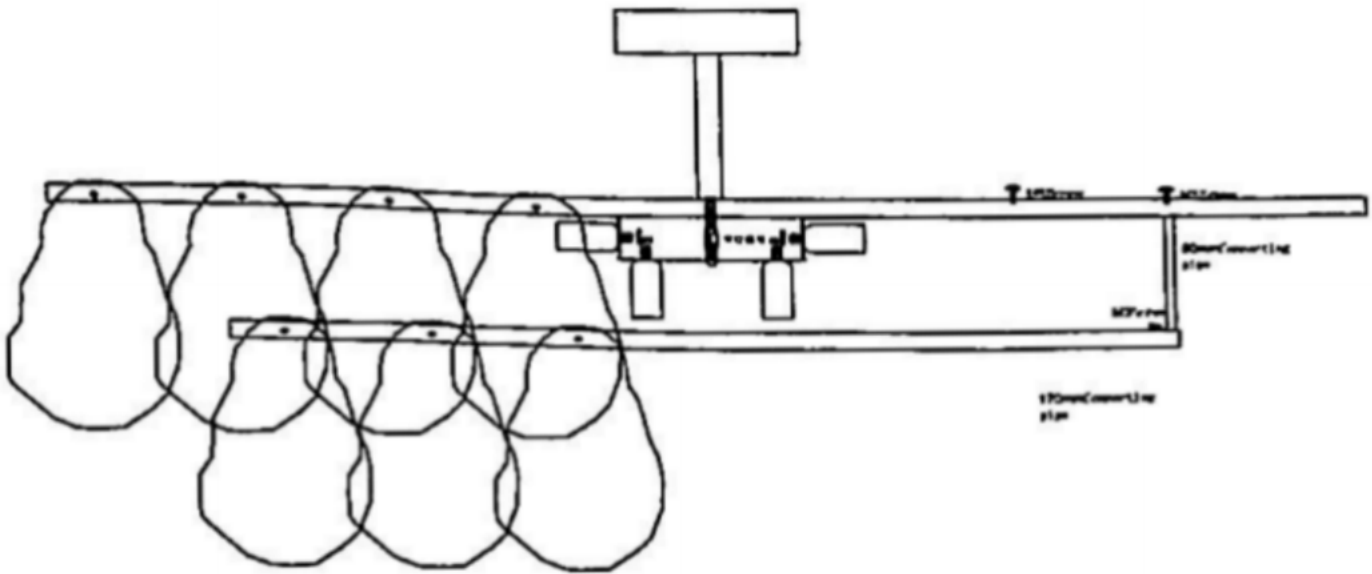
Fixture 24 in diameter x 10.6 in high; 8-in adjustable chain

Fully dimmable with compatible dimmer; LED and halogen compatible

Support: support@efperfect.com

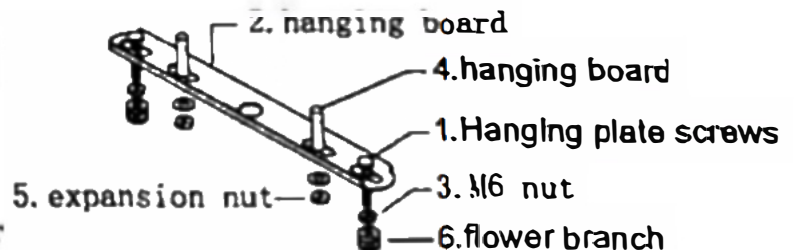
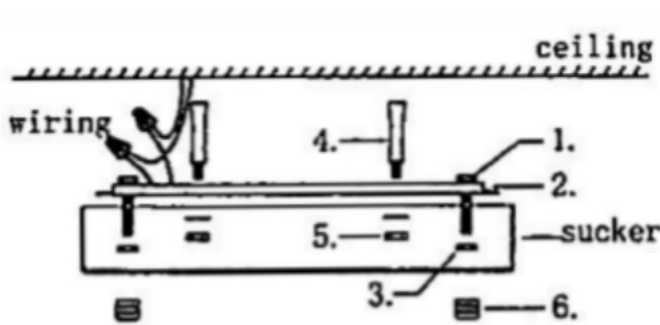
Source: Lowes.com listing for item #7895078, model DS-DY106. This document reproduces the listing's identity block and complete Overview section as published. The manufacturer document(s) published in this listing's Documents section (Instructions/Assembly, Warranty Guide) are appended to this PDF.

Installation diagram



Installation diagram of hanging plate

Be sure to use 6 inch expansion screws (please use different screws for different ceilings) close to the closest point of the hanging board screws to fasten the hanging board to the ceiling.



The hanging plates used in each series of lamps are different but the assembly is the same

Installation Instructions

1. This lamp is suitable for 110V-120V, 50HZ power supply.
2. Please wear installation gloves when installing.
3. Avoid installing it on the ceiling that is not dry. The environment should be ventilated, dry, and avoid moisture.
4. When cleaning, please use non-corrosive detergent or a soft cloth to wipe. Do not wash with water.
5. Please cut off the main power first when installing, cleaning lamps and replacing bulbs.
6. A professional electrician is required to install according to the sequence of the schematic diagram.
7. Lamps should not be close to acidic, alkaline or corrosive chemical solvents and gases.



LIMITED WARRANTY

1. WARRANTY COVERAGE

EFPERFECT warrants to the original consumer purchaser
That this product will be free from Defects In Materials And Workmanship
Under Normal Use And Service For A Period Of One (1) Year from the date of original purchase
This Limited Warranty is not transferable.

2. REMEDY

If A Defect In Materials Or Workmanship Is Found Within The Warranty Period
EFPERFECT's Sole And Exclusive Obligation,
And Your Exclusive Remedy Shall Be, At EFPERFECT's Option, To Either:
(A) Repair The Product At No Charge Using New Or Refurbished Replacement Parts
Or
(B) Replace The Product With A New Or Refurbished Product That Is Functionally
Equivalent To The Original Product.

3. EXCLUSIONS

This Limited Warranty does not cover any damage or failure resulting from:
Misuse, abuse, or accident.
Improper installation, maintenance, or handling.
Modification or alteration of the product by anyone other than EFPERFECT
or its authorized service agents.
Use of the product outside its intended purpose or not in accordance with
its instructions. Normal wear and tear.

This warranty is in lieu of all other warranties, express or implied.
Any implied warranties, including the implied warranties of merchantability
and fitness for a particular purpose, are limited in duration to the duration of this express warranty
Some states do not allow limitations on how long an implied warranty lasts
so the above limitation may not apply to you.

4. OBTAINING WARRANTY SERVICE

To obtain service under this Limited Warranty
please contact our Customer Support team.
You may be required to provide proof of purchase.

Email: support@efperfect.com
Phone: +1 626 244 5555
Website: www.efperfect.com

Our Dedicated Support Team Is
Committed To Providing You With Comprehensive Assistance And Service